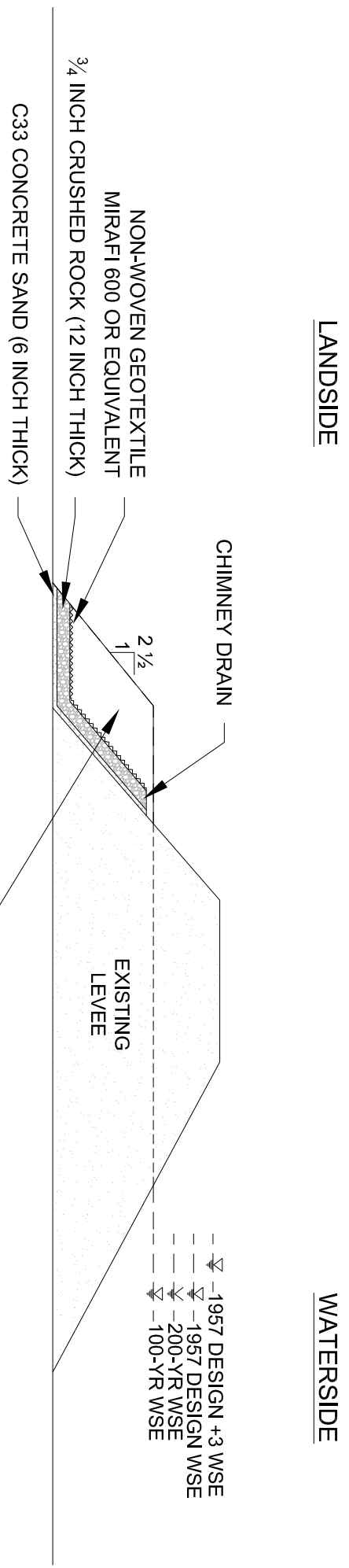


Early Implementation Project

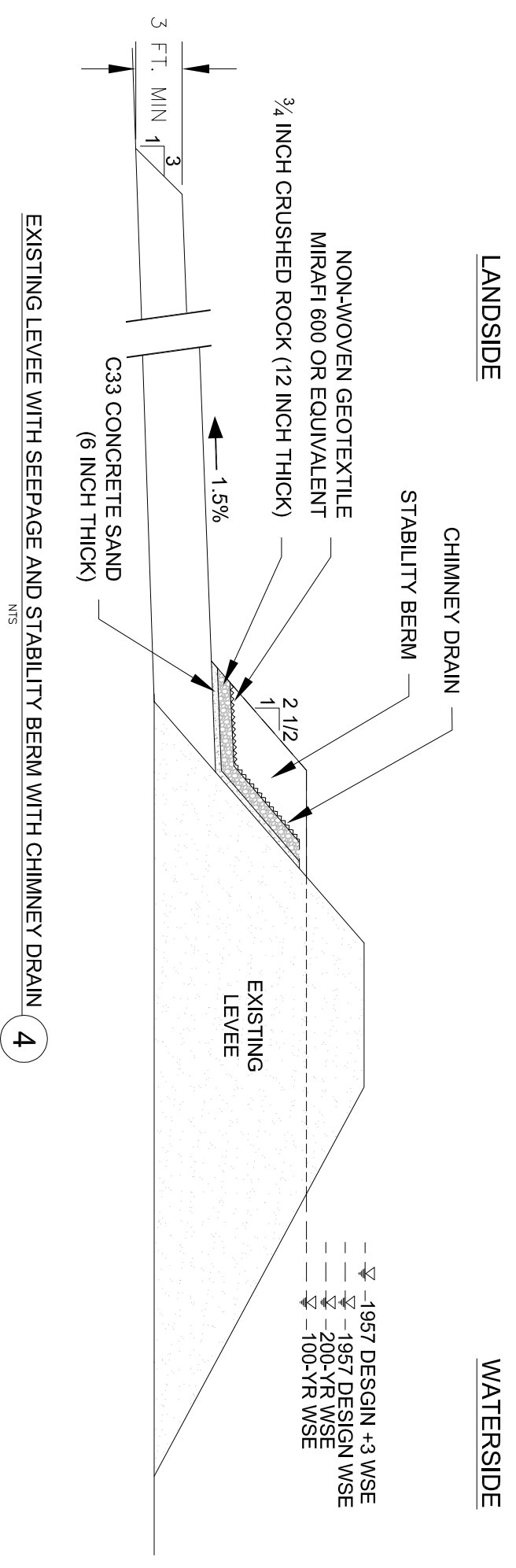
July 30, 2009



IF THIS BAR DOES NOT MEASURE 1" THEN DRAWING IS NOT TO SCALE.



EXISTING LEVEE WITH STABILITY BERM **3**
NTS



EXISTING LEVEE WITH SEEPAGE AND STABILITY BERM WITH CHIMNEY DRAIN **4**
NTS